



**Maximum Performance**



## **UB700, UB900, UB1100, UB1400, UB1800**

### **FEATURES AND BENEFITS**

- Freestanding, high spin
- Stainless steel cabinet
- Stainless steel drum and tub
- MICRO – new graphic display with almost unlimited possibilities as:
  - Communication interface enabling remote service
  - Multilingual microprocessor
  - Freely programmable
- Oversized frame, bearings and drum
- Large door opening (765x340 mm) for easy loading and unloading
- Large drain valve (Ø 126 mm)
- Easy access to all parts
- Frequency controlled motor
- Perforated chamber walls: more mechanical action, lower water consumption
- Standard Y-pocket (3 pockets) drum on UB1100, 1400, 1800
- Standard Pullmann (2 pockets) drum on UB700, 900

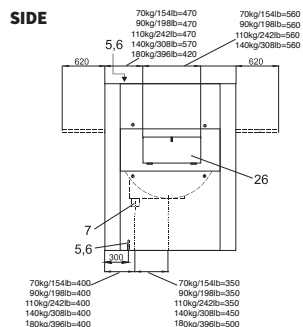
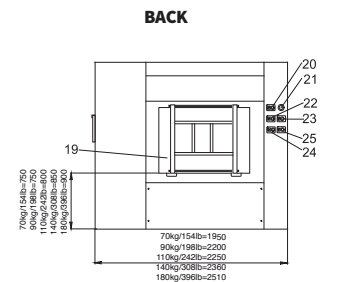
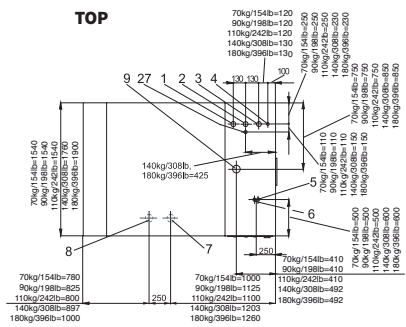
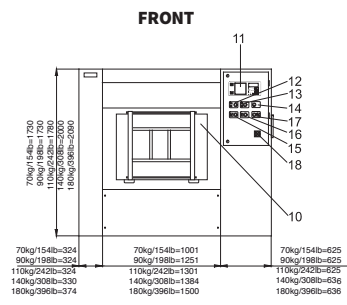
- Ecological washing programmes – significantly reduces water and electricity consumption
- Patented soap dispenser with 5 removable compartments (UB 1800 – 10 compartments)
- Air operated water inlets

### **OPTIONS**

- Liquid soap pumps
- Drum with 2 pockets on UB1100, 1400, with 3 pockets on UB700, 900
- PROform assist traceability software and networking system
- Tap to take water samples
- Light and sound signalization of end of washer cycle
- Linen weighing and water consumption optimization system
- Second display
- Self lubrication of bearing's oil seal
- Second drain valve (Ø 126 mm)
- Second drain valve for water recycling (Ø 76 mm)

**HIGH SPIN HYGIENIC BARRIER WASHER EXTRACTORS**

TYPE		UB700	UB900	UB1100	UB1400	UB1800
<b>INNERDRUM</b>						
Capacity	kg/lb	70/154	90/198	110/242	140/308	180/396
Volume	l	700	900	1100	1400	1800
Diameter	Ø mm	1000	1000	1100	1200	1300
<b>POCKETS</b>						
Frequency controlled		Standard 2 Optional 3	Standard 2 Optional 3	Standard 3 Optional 2	Standard 3 Optional 2	Standard 3 -
<b>MOTOR</b>						
Frequency controlled		Standard	Standard	Standard	Standard	Standard
<b>DRUM SPEED</b>						
Wash	rpm	36	36	35	33	36
Extraction	rpm	800	800	754	720	695
G-Factor		360	360	350	350	350
<b>PROGRAMMER</b>						
MICRO		Standard	Standard	Standard	Standard	Standard
<b>CABINET</b>						
Stainless steel		Standard	Standard	Standard	Standard	Standard
<b>DRUM</b>						
Stainless steel		Standard	Standard	Standard	Standard	Standard
<b>HEATING</b>						
Electrical	kW	54	54	72	72/96	-
Steam	bar	6-8	6-8	6-8	6-8	6-8
<b>CONNECTION</b>						
Electrical		3x380-480V 50/60Hz 3x200-240V 50/60Hz	3x380-480V 50/60Hz 3x200-240V 50/60Hz	3x380-480V 50/60Hz 3x200-240V 50/60Hz	3x380-480V 50/60Hz 3x200-240V 50/60Hz	3x380-480V 50/60Hz 3x200-240V 50/60Hz
Water inlet	inch	3x1.5" + 1x3/4"	3x1.5" + 1x3/4"	3x1.5" + 1x3/4"	3x1.5" + 1x3/4"	3x1.5" + 1x1"
Steam inlet	inch	1"	1"	1"	1"	1"
Compressed air inlet	Ø mm	10	10	10	10	10
Drain	Ø mm	126	126	126	126	126
<b>DIMENSIONS</b>						
HxWxD	mm	1830x2025x1605	1830x2275x1605	1880x2325x1605	2100x2425x1805	2195x2585x1905
<b>TRANSPORT DATA</b>						
Gross weight - case packaging	kg	2760	2970	3150	3760	5310
Net weight	kg	2600	2810	2990	3550	4990
Volume (packed)	m <sup>3</sup>	7.3	8.1	8.7	10.8	12.3
Case packing HxWxD	mm	1985x2100x1740	1985x2355x1740	2080x2400x1740	2250x2485x1940	2265x2665x2040
The data concerning dimensions of machines include all extended parts.						



1. Hard cold water inlet
2. Soft cold water inlet
3. Hot water inlet
4. Steam inlet
5. Supply of pressure air
6. Power supply
7. Main drainage valve
8. Recycling drainage valve
9. Venting of the machine
10. Door of loading (dirty side)
11. Programmer
12. Change-over switch
13. Signal of machine running (+ operating air pressure)
14. Central stop
15. Button of door unlocking
16. Button of drum positioning
17. Button of door locking
18. Main switch
19. Door of unloading (clean side)
20. Signal of loading
21. Central stop
22. Button of door locking
23. Button of activation of loading side
24. Button of door unlocking
25. Button of drum positioning
26. Soap hoppers
27. Soft cold water inlet into soap hoppers

**TO LEARN MORE, OR TO FIND A DISTRIBUTOR IN YOUR AREA, VISIT UNIMAC.COM**  
**ALLIANCE LAUNDRY SYSTEMS - SHEPARD ST, RIPON WI 54971 - +1 800 587 5458**

Consult your UniMac® distributor for details. For the most accurate information, the installation guide should be used for all design and construction purposes. Due to continuous product improvements, design and specifications subject to change without notice. The quality management systems at Alliance Laundry Systems® Ripon facility has been registered to ISO 9001:2008.