

## AIR OPERATED PRESS

### BL-LAUNDRY PRESSES SERIES

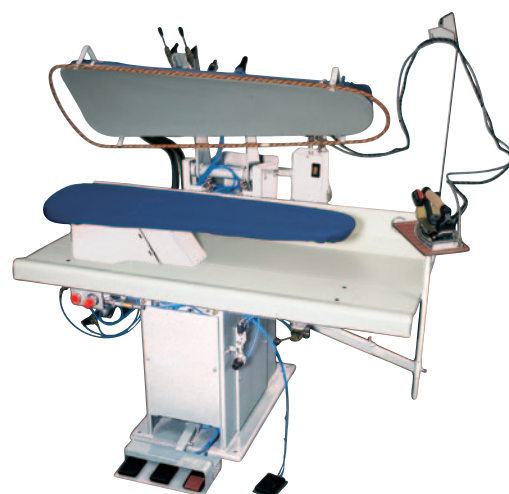
**Pneumatic pressing machines for smocks, shirts, leather, cotton or poly-cotton pants, hospital wear. Hot head no steam. Buck with vacuum and steaming.**

#### Features and strengths

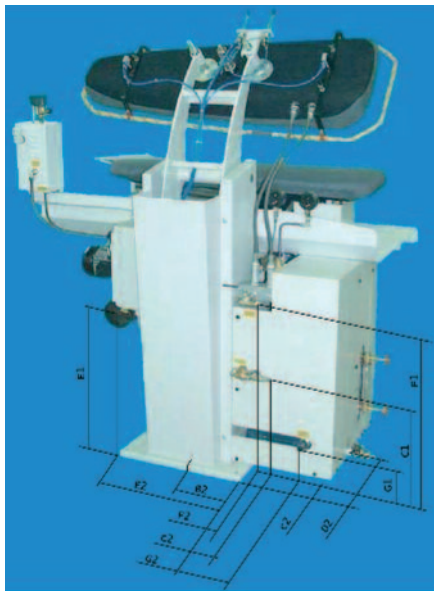
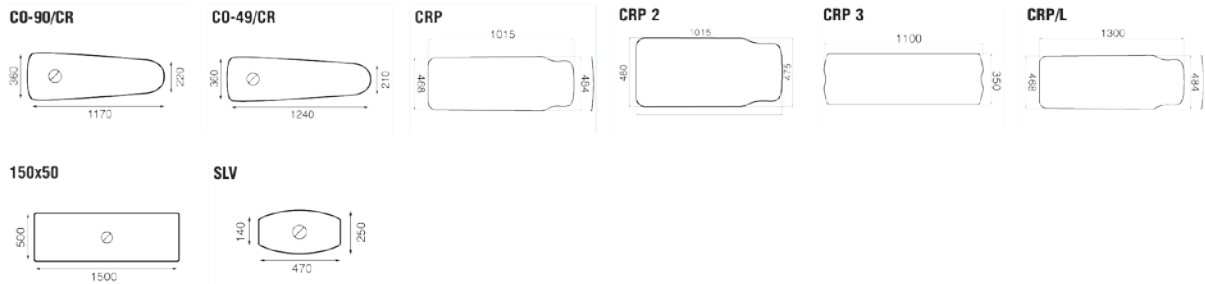
- Adjustable pressing pressure, accident-prevention protection on head
- Lower padding of 5 layers with pure silicon foam
- Stainless steel head heated with steam or electricity
- Different forms are available:
  - CO-90 - Universal - length 117 cm
  - CO-49 - Universal long - length 124 cm
  - CO-5 - Universal short - length 107 cm
  - 1104 - Combined, universal and ironing of pants legs
- Series CRP - For ironing shirts, smocks and doctor's suit
- Special forms upon request
- Available with or without built-in electric steam generator meeting PED standards - capacity 24,5 liters - 12, 15 or 18 kW, and high-pressure vacuum motor 0,35 kW - 0,5 hp

#### Options

- Buck air-blowing
- Anti-shine plate on head in PTFE-aluminium
- ET-1-RAFFAELLO mini-computer for programming timing of head steaming, pre and post vacuum, pressure and air-blowing time - 9 programs, extremely user friendly software
- Condensation separator unit with electric steam or steam iron or temperature with high-precision electronic display (see catalogue of irons)
- Swing arm with form for ironing sleeves or stain-removal in stainless steel
- Air-water spray gun



TYPE		ELECTRIC	STEAM	BOILER
Voltage	V	400 V / 3 Ph / 50 - 60 Hz	230 V / 1 Ph / 50 - 60 Hz	400 V / 3 Ph / 50 - 60 Hz
Vacuum power VA (optional)	kW	0,37		
Boiler resistance BOI	kW	12 or 15 or 18		12 - 18
Air pressure	bar	max. 7		
Steam pressure	bar	max. 5,5		4,5
Weight of machine	kg	220 - 350		
OVERALL DIMENSIONS				
Width	mm	1250 - 1700		
Depth	mm	1200 - 1350		
Height	mm	1400 - 1800		



DESCRIPTION		mm		mm	DIMENSION
ELECTRIC POWER			B2	160	
CONDENSATION RETURN	C1	540	C2	90	1/2"
AIR EXHAUST	E1	300	E2	550	D.125
STEAM	F1	640	F2	90	1/2"
AIR INLET	E1	300	E2	550	3/8"
WATER INLET	G1	150	G2	180	3/4"
BOILER DISCHARGE	D1	60	D2	340	1/2"

UniMac preserves the right to change the machines and the specification in this leaflet at any time, without prior notice. Details and photographs are only for information and never binding.