

VERTICAL TROUSER TOPPER

MOD TF/AL

The new machines of the TF series have been designed to iron not-pleated casual-wear pants made from any material, as well as denim.

Features and strengths

- Time switch programmed through digital electronic control panel
- Pneumatic waistband size adjustment
- Double internal / external hem clamps
- Waistband side tensioning
- Leg stretcher for better tensioning
- Adjustable blowing action
- Easy operation by multipurpose pedal
- Adjustable tensioning pressure
- Super heated steam device
- Productivity - approximately 60 pcs/h

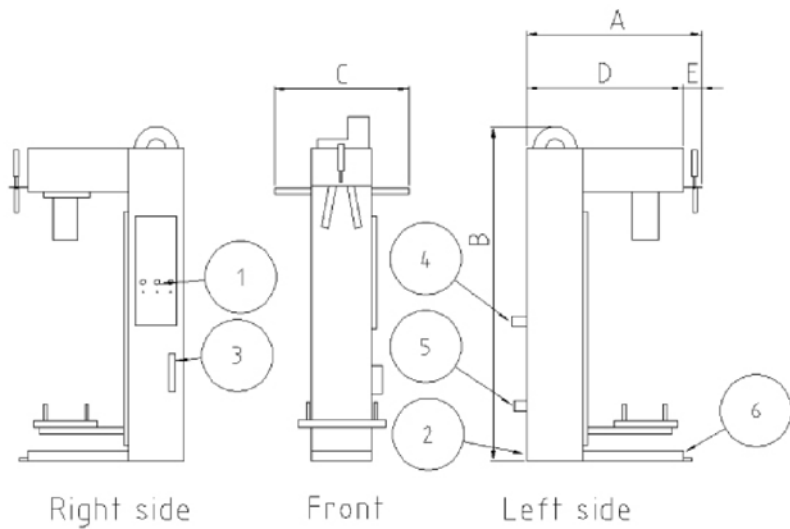
Options

- Pocket pressing device



TYPE		MOD TF/AL
ELECTRIC CONNECTIONS		
Standard voltage		400 V / 3 Ph / 50 Hz
Vacuum and blowing fan power	kW	1,1
Super heating device	kW	1
STEAM AND AIR CONNECTIONS		
Steam inlet	inch	1/2"
Steam outlet	inch	1/2"
Steam supply	kPa	400 - 600
Steam supply	bar	6
Steam consumption	kg/h	25 - 30
Compressed air inlet	inch	1/4"
Compressed air supply	kPa	600 - 800
Compressed air supply	bar	6
SHIPPING DETAILS		
Packing type		Pallet + carton box
Shipping dimensions	mm	1300 x 1000 x 2000
Net weight	kg	200
Gross weight	kg	250

- 1 Pannel control
- 2 Electrical connection
- 3 Air compressed
- 4 Steam connection
- 5 Steam condensate
- 6 Pedal check



UniMac preserves the right to change the machines and the specification in this leaflet at any time, without prior notice. Details and photographs are only for information and never binding.