

ROTARY FINISHING CABINET

MOD 1100-1124 SERIES

Features and strengths

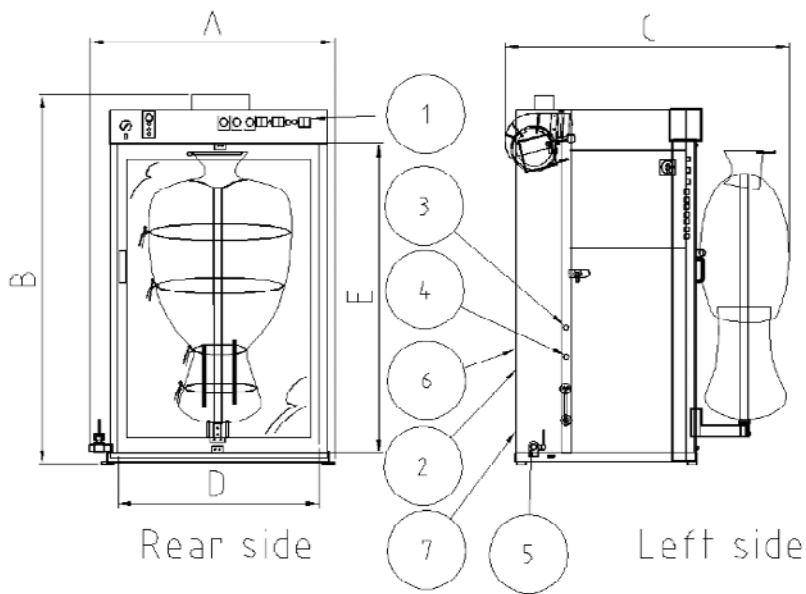
- Even distribution of steam all over the cabin moistens the fabric to remove creases
- Hot air blowing operation dries the fabric
- Jacket finishing device with extending shoulder, shapes and support the garments
- Automatic start on door closing, simplifies the operation
- Range of sleeves and clamps for better garment tensioning
- Trousers waist and legs expander for accessories
- Time switch programmed through digital electronic control panel, available to set till 20 different working cycles installation

Options

- Additional finishing and trouser devices for high production
- Multiple hanger device enables conditioning hanged garments
- Side support for additional finishing device
- Additional side holding frame
- Built-in steam boiler simplifies
- Built-in ventilator fan 1 or 1,5 hp for easy installation



TYPE		MOD 1100	MOD 1124
ELECTRIC CONNECTIONS			
Standard voltage 380 - 415 V / 3 Ph / 50 - 60 Hz	kW	0,750	0,750
	12 kW	-	13,5
	15 kW	-	16,5
	18 kW	-	19,5
STEAM AND AIR CONNECTIONS			
Steam pressure	bar	5	5
Steam consumption	kg/h	20/25	-
Compressed air	bar	6	6
Air consumption	m ³ /h	1	1
Water inlet	inch	-	3/8"
Water outlet, drainage	inch	-	1/2"
Steam inlet	inch	1/2"	-
Steam outlet condensate	inch	1/2"	-
SHIPPING DATA			
	net kg	200	250
	boxed kg	230	280



UniMac preserves the right to change the machines and the specification in this leaflet at any time, without prior notice. Details and photographs are only for information and never binding.