

COMPACT SPOTTING TABLE

EC-72 SERIES

Features and strengths

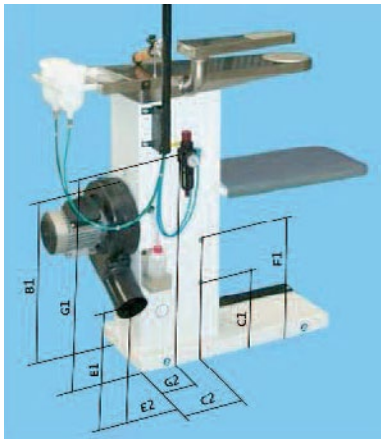
- Available in 3 different versions
- Form and mobile arm in stainless steel
- Two stain-removal guns connected to tanks (EC-72.2)
- With connection for centralised vacuum (EC-72.0) or with built-in high-depression vacuum at 0,37 kW - 0,5 hp (EC-72.1 - EC-72.2)
- Hot air - steam gun with pedal control and condensation separator unit (EC-72.0 - EC-72.1)

Options

- Active carbon purification unit



TYPE		EC 72.00	EC 72.01	EC 72.02
Supply voltage	-	230 V / 1 Ph / 50 - 60 Hz		
Suction unit power	kW	-	0,37	
Steam intake	Ø	3/8"		-
Air intake	Ø	1/4"		
Condensation discharge	Ø	3/8"		-
Air discharge	Ø	1-1/4"	100	
Steam pressure	bar	4,5		-
Air pressure	bar	10		
Net weight	kg	33	38	37
Gross wight	kg	43	48	47
OVERALL DIMENSIONS				
Machine dimensions W x D x H	mm	1100 x 350 x 970		
Shipping dimensions W x D x H	mm	1130 x 470 x 1080		
Different voltage and frequency specifications on request				



DESCRIPTION	mm		mm		DIMENSION
ELECTRIC POWER	B1	200	00	0	
CONDENSATION RETURN	C1	220	C2	220	3/8"
AIR EXHAUST	E1	830	E2	30	D.100
STEAM	F1	350	C2	220	3/8"
AIR INLET	G1	670	G2	100	1/4"

UniMac preserves the right to change the machines and the specification in this leaflet at any time, without prior notice. Details and photographs are only for information and never binding.