

## Chest Heated Ironers - One Roll

### ACL370

#### Features and Benefits

##### Chest

- Single piece super flexible laser welding chest have 180-206° wrap up contact to rolls
- Self-adjusted chest applies pressure always equally over entire width and length of the roll. To make linen being ironed equal quality.
- Heated by circulated thermal oil moving in the chest. It makes the temperature even along full chest width. No trouble of overheated spots.
- Self-contained thermal oil heating and circulation system offers accurate temperature control, easy installation and start up

##### Delivery

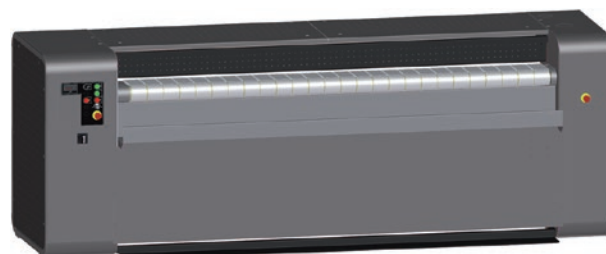
- Front return to save operation space and one person to operate
- Rear return to connect folder when necessary
- Front and rear return optional to be flexible to suit the laundry flow

##### Roll

- Perforated steel roll with under springing and polyester felt 800 gr/m<sup>2</sup> padding
- Suction through the roll to ventilate moisture
- Fully enclosed planetary gearbox mounted directly onto the roll
- Variable speed by frequency inverter drive

##### Control

- Simple readout control to set temperature and speed manually

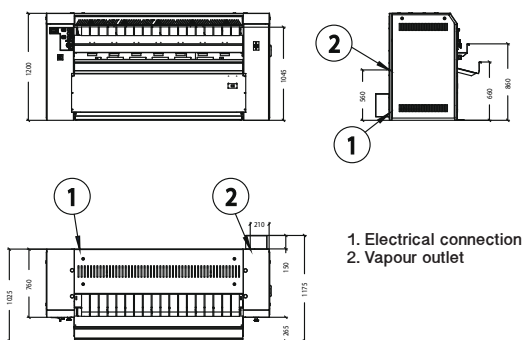


#### Options

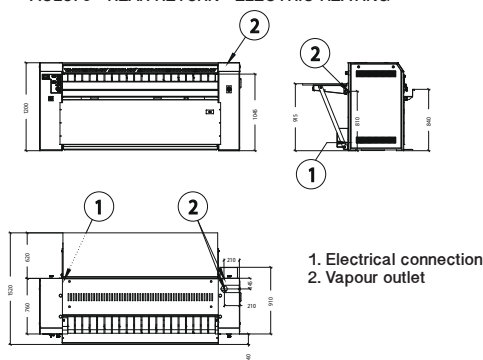
- Higher ironing speed
- Longer feeding table
- Foot pedal
- M-Aramid padding

TYPE		ACL370-17	ACL370-20	ACL370-22	ACL370-25	ACL370-30
Roll diameter	mm	370				
Working width	mm	1750	2000	2200	2500	3000
Ironing speed	mm	1-6,5				
Fan motor	kW	0,25				
Roll motor	kW	0,37		0,50		
Exhaust diameter	mm	Ø75				
Hydraulic pump motor	kW	0,37				
Oil circulation pump	kW	2,2				
Voltage		380-415V/50Hz/3ph+TN-C				
<b>GAS HEATING</b>						
Gas connection	inch	1/2"				
Gas pressure	mbar	20				
Gas consumption	kW	25	28	31	35	42
Heat exchanger evacuation	mm	Ø90				
Ironing capacity @moisture retention 50%	kg/hr	48	54	60	67	81
<b>ELECTRIC HEATING</b>						
Heating element	kW	30		35		40
Ironing capacity @ moisture retention 50%	kg/hr	48	54	60	67	81
<b>DIMENSIONS</b>						
Width	mm	2474	2724	2924	3224	3724
Depth (table open = pass-through model)	mm	1520				
Height	mm	1200				
Net weight	kg	700	782	862	983	1203
<b>SHIPPING DIMENSIONS</b>						
Width	mm	2574	2824	3024	3324	3824
Depth	mm	1050				
Height	mm	1300				
Gross weight	kg	730	812	892	1013	1233

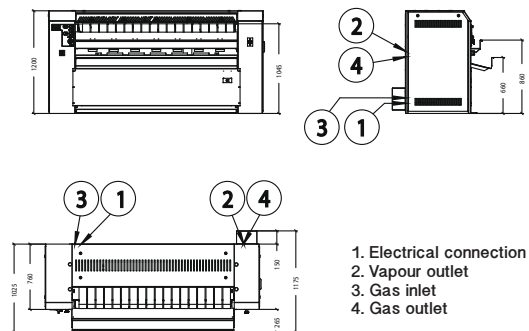
ACL370 - FRONT RETURN - ELECTRIC HEATING



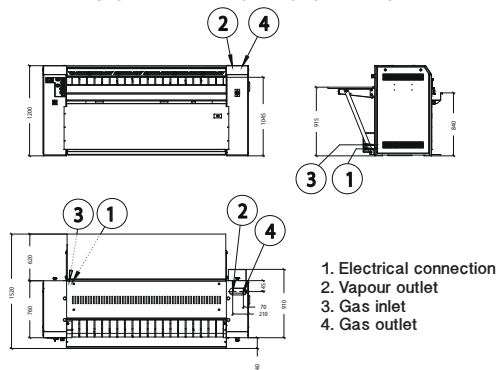
ACL370 - REAR RETURN - ELECTRIC HEATING



ACL370 - FRONT RETURN - GAS HEATING



ACL370 - REAR RETURN - GAS HEATING



UniMac preserves the right to change the machines and the specification in this leaflet at any time, without prior notice. Details and photographs are only for information and never binding.