

Chest Heated Ironers - One Roll

ACL600

Features and Benefits

Chest

- Single piece super flexible laser welding chest have 180-206° wrap up contact to rolls
- Self-adjusted chest applies pressure always equally over entire width and length of the roll. To make linen being ironed equal quality.
- Heated by circulated thermal oil moving in the chest. It makes the temperature even along full chest width. No trouble of overheated spots.
- Self-contained thermal oil heating and circulation system offers accurate temperature control, easy installation and start up
- Steam heated by steam injection directly into the chest

Delivery

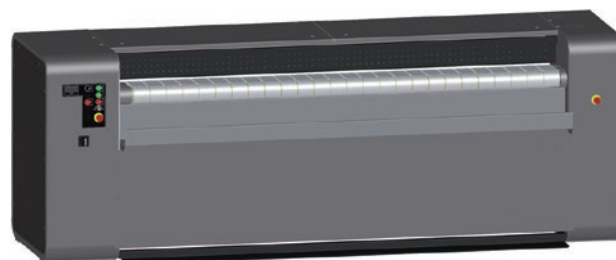
- Rear return to connect folder when necessary
- Front and rear return optional to be flexible to suit the laundry flow

Roll

- Perforated steel roll with under springing and polyester felt 800 gr/m² padding
- Suction through the roll to ventilate moisture
- Fully enclosed planetary gearbox mounted directly onto the roll
- Variable speed by frequency inverter drive

Control

- Simple readout control to set temperature and speed manually
- Optional PLC touch screen with 50 programs. Speed regulation and modulating bunner included.



Options

- Unique high ventilation chest for 25% higher output (not for steam heating)
- Higher ironing speed
- Longer feeding table
- Foot pedal
- M-Aramid padding

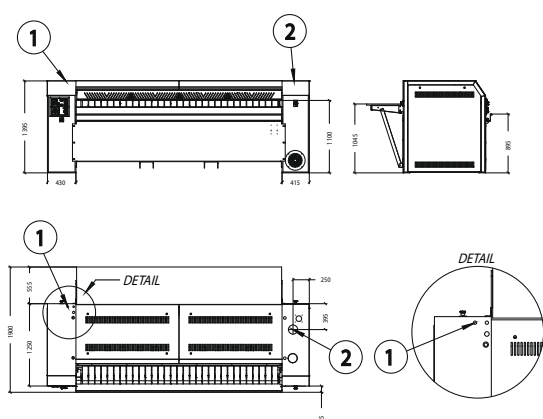
TYPE		ACL600-17	ACL600-20	ACL600-22	ACL600-25	ACL600-30	ACL600-33
Roll diameter	mm	600					
Working width	mm	1750	2000	2200	2500	3000	3300
Ironing speed	m/min	1,5 - 6,5					
High ironing speed	m/min	3,5 - 14,0					
Fan motor	kW	0,75					
Roll motor	kW	1,5					
Roll motor, high speed	kW	2,2					
Exhaust diameter	mm	Ø125					
Hydraulic pump motor	kW	0,37					
Oil circulation pump	kW	2,2					
Voltage		380-415V/50HZ/3PH+TN-C					
GAS HEATING							
Gas connection	inch	3/4"					
Gas pressure	mbar	20					
Gas consumption	kW	52	57	66	73	84	92
Heat exchanger evacuation	mm	Ø125					
Ironing capacity @ moisture retention 50%	kg/hr	100	109	126	140	160	175
STEAM HEATING							
Steam pressure	bar	6-12					
Steam connection	inch	5/4"					
Condens connection	inch	3/4"					
Steam consumption @ 10bar	kg	77	83	96	107	123	134
Ironing capacity @ moisture retention 50%	kg/hr	90	98	113	126	144	157
ELECTRIC HEATING							
Heating element	kW	45	45	45	50	60	75
Ironing capacity @ moisture retention 50%	kg/hr	100	109	126	140	160	175
DIMENSIONS							
Width	mm	2725	2975	3175	3475	3975	4275
Depth (table open = pass-through model)	mm	1900					
Height	mm	1395					
Net weight	kg	1800	2000	2200	2400	2600	2900
SHIPPING DIMENSIONS							
Width	mm	2825	3075	3275	3575	4075	4375
Depth	mm	1595					
Height	mm	1495					
Gross weight	kg	1830	2030	2230	2430	2630	2930

UniMac preserves the right to change the machines and the specification in this leaflet at any time, without prior notice. Details and photographs are only for information and never binding.

Chest Heated Ironers - One Roll

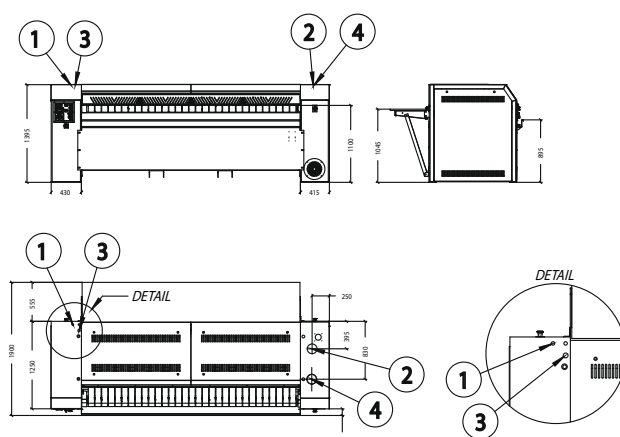
ACL600

ACL600 - REAR RETURN - ELECTRIC HEATING



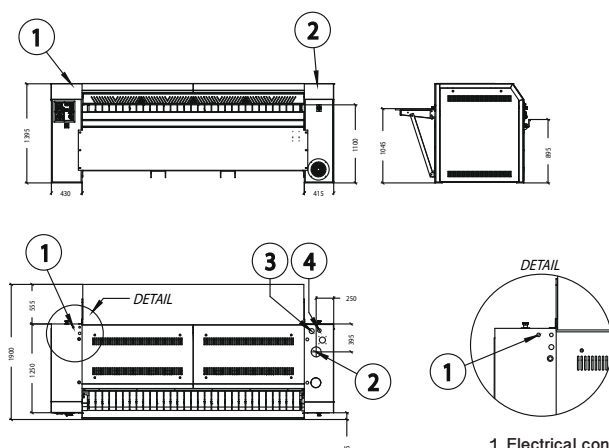
- 1. Electrical connection
- 2. Vapour outlet

ACL600 - REAR RETURN - GAS HEATING



- 1. Electrical connection
- 2. Vapour outlet
- 3. Gas inlet
- 4. Gas outlet

ACL600 - REAR RETURN - STEAM HEATING



- 1. Electrical connection
- 2. Vapour outlet
- 3. Steam inlet
- 4. Steam outlet

UniMac preserves the right to change the machines and the specification in this leaflet at any time, without prior notice. Details and photographs are only for information and never binding.

www.unimaclaundry.com

PREFERRED BY ON-PREMISES LAUNDRIES WORLDWIDE