

Chest Heated Ironers - One Roll

ACL800

Features and Benefits

Chest

- Single piece super flexible laser welding chest have 180-206° wrap up contact to rolls
- Self-adjusted chest applies pressure always equally over entire width and length of the roll. To make linen being ironed equal quality.
- Heated by circulated thermal oil moving in the chest. It makes the temperature even along full chest width. No trouble of overheated spots.
- Self-contained thermal oil heating and circulation system offers accurate temperature control, easy installation and start up
- Steam heated by steam injection directly into the chest

Delivery

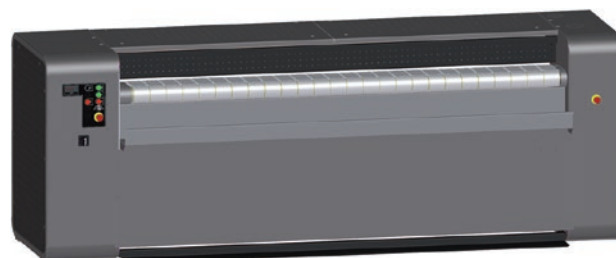
- Rear return to connect folder when necessary
- Front and rear return optional to be flexible to suit the laundry flow

Roll

- Perforated steel roll with under springing and polyester felt 800 gr/m² padding
- Suction through the roll to ventilate moisture
- Fully enclosed planetary gearbox mounted directly onto the roll
- Variable speed by frequency inverter drive

Control

- Simple readout control to set temperature and speed manually
- Optional PLC touch screen with 50 programs. Speed regulation and modulating bunner included.

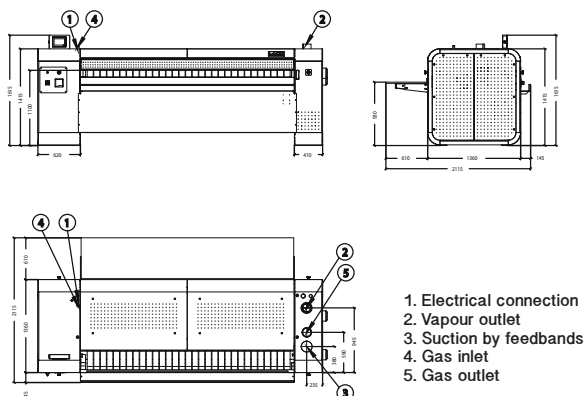


Options

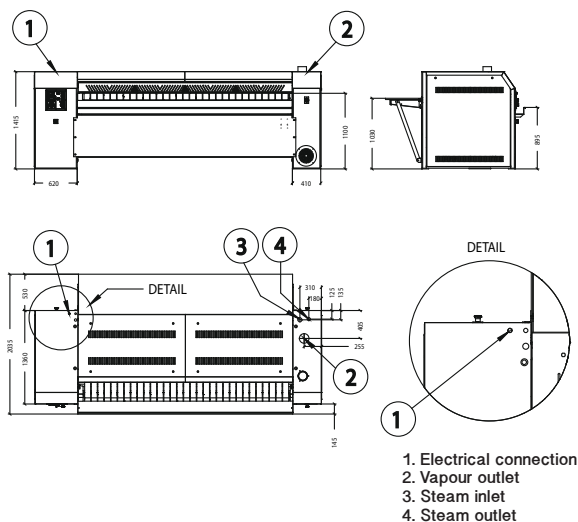
- Unique high ventilation chest for 25% higher output (not for steam heating)
- Higher ironing speed
- Longer feeding table
- Foot pedal
- M-Aramid padding

TYPE		ACL800-17	ACL800-20	ACL800-22	ACL800-25	ACL800-30	ACL800-33
Roll diameter	mm	800					
Working width	mm	1750	2000	2200	2500	3000	3300
Ironing speed	m/min	3-12					
High ironing speed	m/min	3-16					
Fan motor	kW	0,75					
Roll motor	kW	1,5					
Roll motor, high speed	kW	2,2					
Exhaust diameter	mm	Ø125					
Hydraulic pump motor	kW	0,37					
Oil circulation pump	kW	2,2					
Voltage		380-415V/50Hz/3ph+TN-C					
GAZ HEATING							
Gas connection	inch	3/4"					
Gas pressure	mbar	20					
Gas consumption	kW	69	80	87	99	126	131
Heat exchanger evacuation	mm	Ø125					
Ironing capacity @moisture retention 50%	kg/hr	152	164	186	200	230	250
STEAM HEATING							
Steam pressure	bar	6-12					
Steam connection	inch	5/4"					
Condens connection	inch	3/4"					
Steam consumption @ 10bar	kg	98	113	123	140	169	186
Ironing capacity @ moisture retention 50%	kg/hr	136	147	167	180	207	225
ELECTRIC HEATING							
Heating element	kW	60	60	60	75	90	90
Ironing capacity @ moisture retention 50%	kg/hr	152	164	186	200	230	250
DIMENSIONS							
Width	mm	2910	3160	3360	3660	4160	4460
Depth (table open = pass-through model)	mm	2035					
Height	mm	1415					
Net weight	kg	2000	2200	2600	2800	3100	3400
SHIPPING DIMENSIONS							
Width	mm	3010	3260	3460	3760	4260	4560
Depth	mm	1755					
Height	mm	1515					
Gross weight	kg	2030	2230	2630	2830	3130	3430

ACL800 - REAR RETURN - ELECTRIC HEATING
REAR RETURN - GAS HEATING



ACL800 - REAR RETURN - STEAM HEATING



UniMac preserves the right to change the machines and the specification in this leaflet at any time, without prior notice. Details and photographs are only for information and never binding.