

Sheet Folders with Drop Stacker

ASFV30, ASFV33, ASFV35

Features and Benefits

- The best solution for bed sheets, duvets, tablecloths and large sheets
- High speed folder with single lane sheets making 2 lateral folds combined with 3 cross folds and stacking by a drop stacker
- It saves labor for higher productivity and folding quality
- First and second length folds are executed by air knife
- First cross fold by knife. Second and third cross folds by knives and belt reverse conveyor.
- Moveable delivery table for small items by-pass cross folding
- Standard max. length on multi-lane is 1 200 mm
- Automatic speed synchronisation from 7 to 50 m/min
- Safety according to CE-regulations
- Heavy duty steel construction: main frame with long lifespan due to rust protection by powder coating
- Stacker can be positioned on right or left, to fit laundry you path
- PLC-Control
 - 5,7" touch screen with relevant parameters programmable
 - Up to 100 custom made programs
 - Easy data back-up by means of compact flash
 - Easy to learn for operator, with all key functions explained by text on the screen

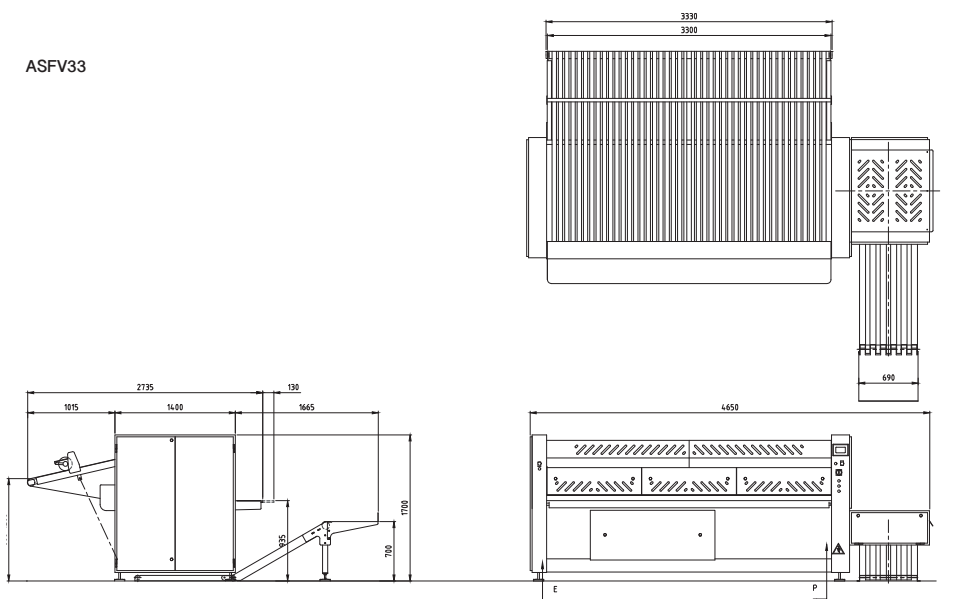


Options

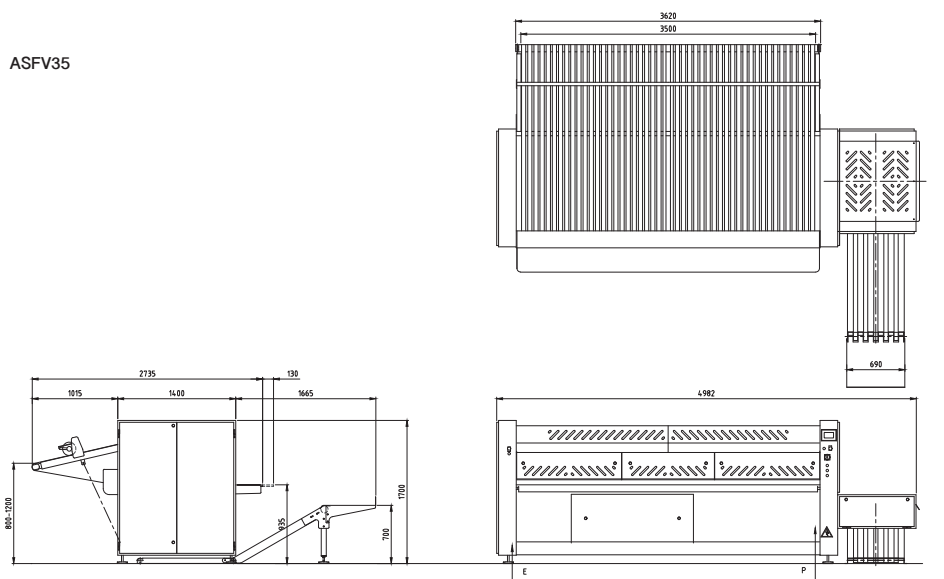
- Multiple lanes execution for small pieces
- Anti-static bar system for better folding synthetic fabric sheets
- Mechanical by-pass on first and second length: folding for small pieces (quick pass-through)

| TYPE | | ASFV30 | ASFV33 | ASFV35 |
|---|-----------|------------------|--------|----------------|
| Working width, max | mm | 3000 | 3300 | 3500 |
| Dimensions WxDxH | mm | 4700x4100x1800 | | 4900x4100x1800 |
| Net weight | kg | 1700 | | 2000 |
| Shipping dimensions WxDxH | mm | 4700x1900x2200 | | 4900x1900x2200 |
| Gross weight | kg | 1750 | | 2050 |
| CONNECTION | | | | |
| Main power | | 400V/50-60Hz/3ph | | |
| Electric | kW (A) | 4,5 (11) | | |
| Compressed air | DN (inch) | 15 (1/2") | | |
| Air pressure | bar | 6 | | |
| CONSUMPTION | | | | |
| Compressed air | NL/min | 250 | | |
| Import Note: Please inform order desk the position of stack at right or left (see from ironer side) | | | | |

ASFV33



ASFV35



UniMac preserves the right to change the machines and the specification in this leaflet at any time, without prior notice. Details and photographs are only for information and never binding.