

Vacuum Feeder / Automatic Feeder

AVFV30, AVFV33, AVFV35, AAFV30, AAFV33, AAFV35

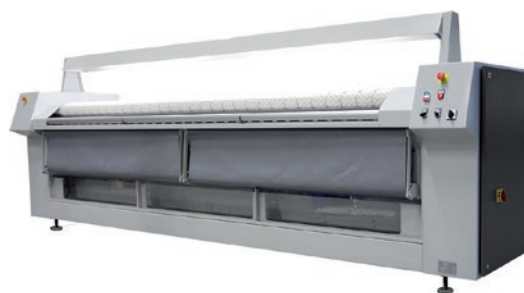
Features and Benefits

Vacuum Feeder (AVFV Series)

- For manual feeding of sheets, duvets, table linen and small pieces in one or multiple lanes
- Suction under the feeding belts to ensure the leading edge is held in position
- Central dust collecting system
- Adjustable speed regulation from 8 to 40 m/min
- Number of lanes and feeding positions standard 1 to 6
- CE approval

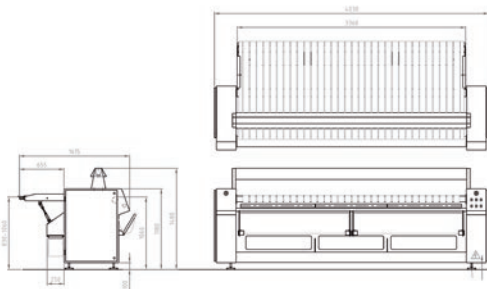
Automatic Feeder (AAFV Series)

- Single lane automatic one station feeder
- For feeding linen of manual feeding in multiple lanes
- One automatic horizontal clipping station in the center. Large linen being hold by two clamps, spread and laid on feeding belts.
- Two operators can feed into the one clipping station and achieve a production of +500 pcs/hr
- Adjustable suction box to improve the quality of the trailing edge combined with a single-lane brusher system
- The single-lane stop conveyor including stretching conveyor will improve the quality of the leading edge of the linen
- Clamp feeding station can be moved to back position of feeding conveyor for easy manual feeding of small pieces
- Suction under the feeding belts to ensure that the leading edge is held in position
- Movable collecting bags to store small linen
- Fixed stretching knife over the full width
- Central dust collecting system
- Light panels above the full width of the feeding belt to make the work of the operator more comfortable
- Heavy duty steel construction: mainframe with long lifespan due to rust protection by powder coating
- Safety according to CE-regulations
- PLC-Control
 - 5,7" touch screen with relevant parameters programmable
 - Up to 100 custom-made programs
 - Easy data back-up by means of compact flash
 - Easy to learn for operator, with all key functions explained by text on the screen

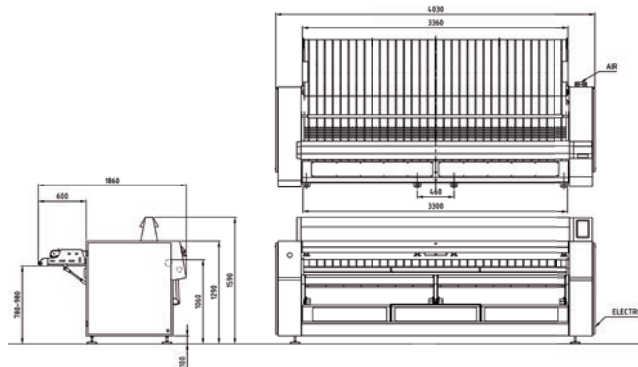


TYPE		AVFV30	AVFV33	AVFV35	AAFV30	AAFV33	AAFV35
1 lane auto feeding		yes			no		
Manual feeding		yes					
Working width, max	mm	3000	3300	3500	3000	3300	3500
Dimensions WxDxH	mm	4030x1650x1600		4230x1650x1600	4030x1650x1480		4230x1650x1480
Net weight	kg	1800		2100	1000		1100
Shipping dimensions WxDxH	mm	4030x1650x1600		4230x1650x1600	4030x1650x1480		4230x1650x1480
Gross weight	kg	1850		2150	1050		1150
CONNECTION							
Main power		400V/50-60Hz/3ph					
Electric	kW (A)	4,34 (11)			3,5 (8,6)		
Compressed air	DN (inch)	15 (1/2")			n/a		
Air pressure	bar	6			n/a		
CONSUMPTION							
Compressed air	NL/min	10			n/a		

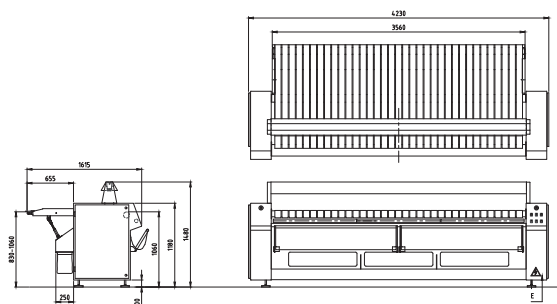
AVFV30-33



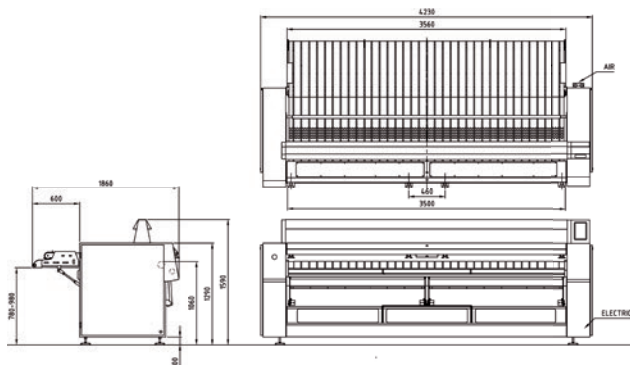
AAFV30-33



AVFV35



AAFV35



UniMac preserves the right to change the machines and the specification in this leaflet at any time, without prior notice. Details and photographs are only for information and never binding.