



Maximum Performance



FCU 3186/800, FCUR 3186/800, FCUF 3186/800, FCUFF 3186/800

FEATURES AND BENEFITS

- Large surface contact with linen
- Finger protection and emergency button for more safety
- Automatic cooldown
- Easy to operate microprocessor
- Overdimensioned fan for flexible installation
- Indication of ironing speed and temperature
- Reverse mode possible
- Frequency controlled motor
- Space saving installation against the wall is possible:
front return
- Electric, gas or steam heating
- Overheating check system

OPTIONS

- Stop pedal

OPTIONAL MODULES

- Module R (FCUR800) – Frontal and rear output
- Module F (FCUF800) – module R with length folding
- Optional modules can be retrofitted to existing FCU800 ironers

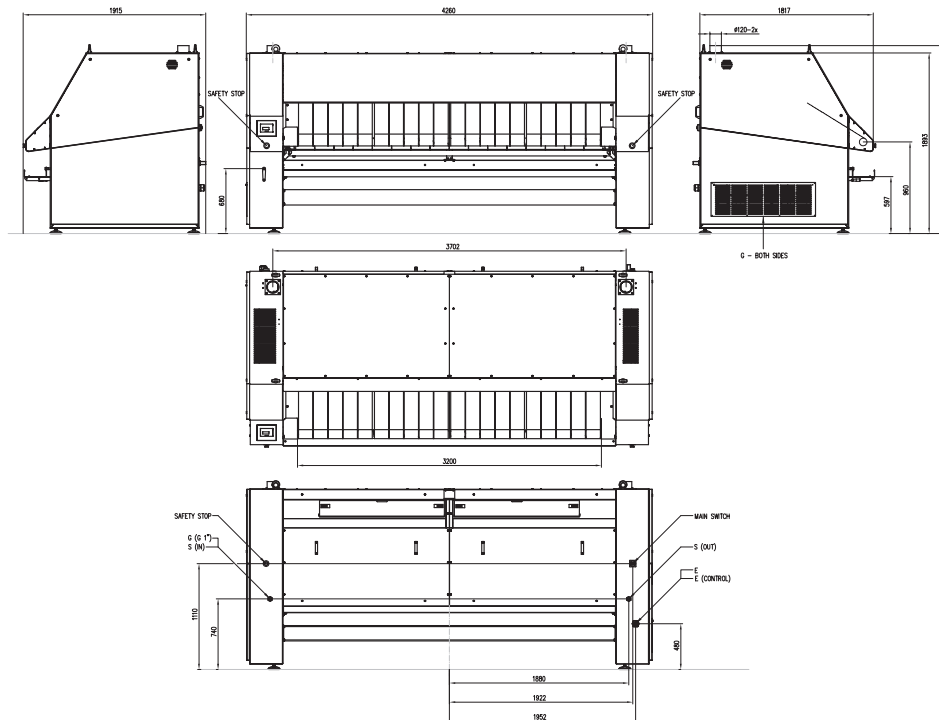
INDUSTRIAL CYLINDER HEATED DRYING IRONERS

TYPE		FCU 3186/800	FCUR 3186/800	FCUF 3186/800	FCUFF 3186/800
Roller diameter	mm	807	807	807	807
Useful roller length	mm	3186	3186	3186	3186
Capacity*	kg/h	195	195	195	195
Speed / Speed II**	m/min	3-15 / 3-8	3-15 / 3-8	3-15 / 3-8	3-15 / 3-8
HEATING					
Electric	kW	75	75	75	75
Gas***	kW	110	110	110	110
Steam	kg/h	190	190	190	190
MOTOR					
Roller motor	kW	0,75	0,75	0,75	0,75
Fan motor	kW	2 x 0,55/0,75 (50/60 Hz)	2 x 0,55/0,75 (50/60 Hz)	2 x 0,55/0,75 (50/60 Hz)	2 x 0,55/0,75 (50/60 Hz)
Others	kW	0,2	0,3	0,4	1,1
Fan capacity	m³/h	2 x 1300	2 x 1300	2 x 1300	2 x 1300
Max. temperature	°C	180	180	180	180
Consumption of electricity	kWh	65,9	66,1	66,2	66,9
Consumption of gas	m³/h	11,4	11,4	11,4	11,4
Consumption of steam	kg/h	190	190	190	190
Gas types		G20, G25, G30, G31	G20, G25, G30, G31	G20, G25, G30, G31	G20, G25, G30, G31
Max. gas pressure	mbar	60	60	60	60
Noise level	dB (A)	< 75	< 75	< 75	< 75
Ingress protection		IP 42	IP 42	IP 42	IP 42
Electric connection		380-415V 3AC+N 50/60Hz 208-240V 3AC 50/60Hz 380-415V 3AC-N 50/60Hz 440-480V 3AC 60Hz	380-415V 3AC+N 50/60Hz 208-240V 3AC 50/60Hz 380-415V 3AC-N 50/60Hz 440-480V 3AC 60Hz	380-415V 3AC+N 50/60Hz 208-240V 3AC 50/60Hz 380-415V 3AC-N 50/60Hz 440-480V 3AC 60Hz	380-415V 3AC+N 50/60Hz 208-240V 3AC 50/60Hz 380-415V 3AC-N 50/60Hz 440-480V 3AC 60Hz
DIMENSIONS					
HxWxD	mm	1985x4260x1915	1985x4260x1915	1985x4260x1915	1985x4260x2010
Netto weight	kg	E 2610 / G 2480 / S 2900	E 2860 / G 2730 / S 3150	E 2970 / G 2840 / S 3260	E 3170 / G 3040 / S 3460
Carton packing HxWxD	mm	2080x4380x2080	2080x4380x2080	2080x4380x2080	2080x4380x2080
Brutto weight	kg	E 2870 / G 2740 / S 3160	E 3120 / G 2990 / S 3410	E 3230 / G 3100 / S 3520	E 3430 / G 3300 / S 3720

* Data from lab according to standard ISO9398-1. The actual capacity depends on laundry conditions and operators which could be 20% - 40% lower.

**Lengthwise folding activated

*** G20, 20 mbar



TO LEARN MORE, OR TO FIND A DISTRIBUTOR IN YOUR AREA, VISIT UNIMAC.COM
ALLIANCE LAUNDRY SYSTEMS - SHEPARD ST, RIPON WI 54971 - +1 800 587 5458

Consult your UniMac® distributor for details. For the most accurate information, the installation guide should be used for all design and construction purposes. Due to continuous product improvements, design and specifications subject to change without notice. The quality management systems at Alliance Laundry Systems® Ripon facility has been registered to ISO 9001:2008.

©2018 Alliance Laundry Systems LLC.

UniMac® by Alliance Laundry Systems