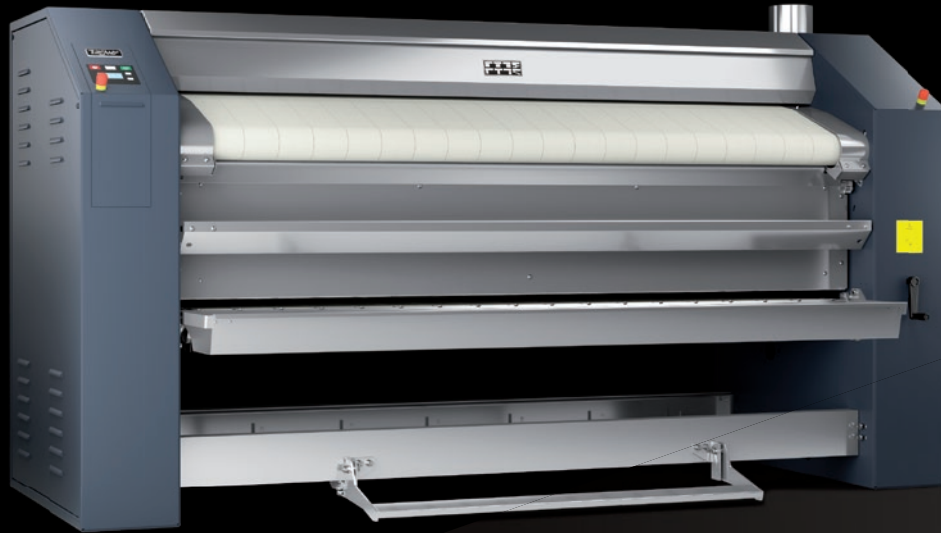




**Maximum Performance**



## **FCUR 2000/500, FCUR 2600/500, FCUR 3200/500, FCUF 2000/500, FCUF 2600/500, FCUF 3200/500**

### **FEATURES AND BENEFITS**

- Large surface contact with linen over an angle of 300°
- Finger protection and emergency button for more safety
- Durable M-Aramid ironing belts
- Automatic cooldown
- Easy to operate microprocessor: 20 pre-set ironing programmes
- Indication of ironing speed and temperature
- Reverse mode possible
- FCUR model: front and rear output troughs
- FCUF model: front output table
- Variable setups for folding (FCUF)
- FCUF model: integrated length folder model

- Frequency-controlled motors
- Easy to remove lint filters
- Standard anti-static bar (FCUF)
- Patented integrated length folding requires less maintenance (no ribbons and rolls)
- Electric, gas or steam heating
- Overheating check system with 3 temperature sensors

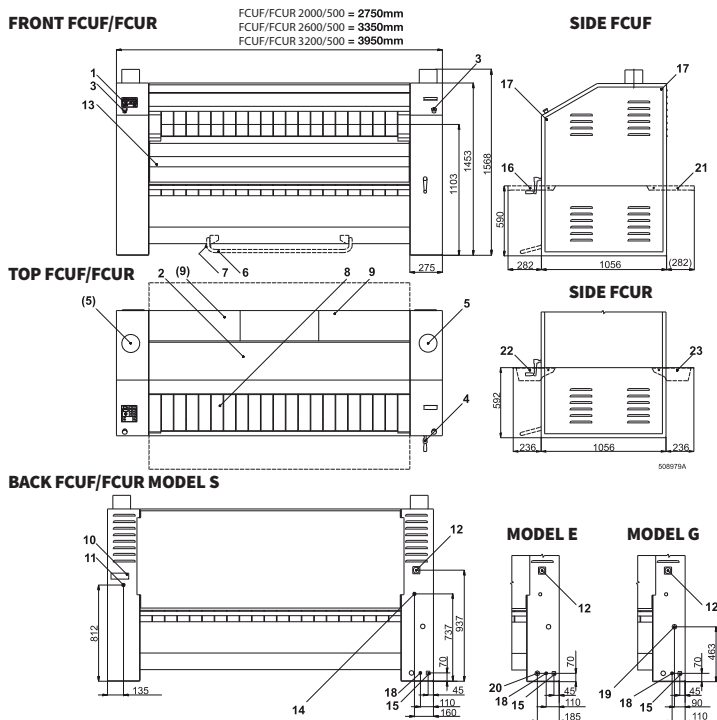
### **OPTIONS**

- Foot pedal for easy stop and start operation
- Rear output table (FCUF)
- Chrome-plated cylinder for a better thermal conduction

**INDUSTRIAL CYLINDER HEATED DRYING IRONERS WITH  
FRONT & REAR RETURN FCUR AND LENGTH FOLDING FCUF**

TYPE		FCUR/FCUF 2000/500	FCUR/FCUF 2600/500	FCUR/FCUF 3200/500
Roller diameter	mm	500	500	500
Useful roller length	mm	2000	2600	3200
<b>HEATING</b>				
Electric	kW	38	55	65
Gas	kW	36	52	66
Steam	kg/h	49	68	88
<b>MOTOR</b>				
Roller motor	kW	0,37	0,37	0,37
Fan motor	kW	0,18/0,255	2x0,18/0,255	2x0,18/0,255
<b>IRONING CAPACITY*</b>				
Electrical & gas heating	kg/h	80	95	120
Steam heating	kg/h	95	115	145
Roller speed	m/min	1,5-8	1,5-8	1,5-8
Electric connection		3x380-415V+N 50/60Hz 3x208-240V 50/60Hz	3x380-415V+N 50/60Hz 3x208-240V 50/60Hz	3x380-415V+N 50/60Hz 3x208-240V 50/60Hz
Dimensions HxWxD	mm	1568x2750x1185	1568x3350x1185	1568x3950x1185
<b>TRANSPORT DATA</b>				
Gross weight (crate packing)	kg	1520	1700	2000
Net weight	kg	1290	1440	1680
Crate packing (volume)	m <sup>3</sup>	7,67	9,2	10,76
Crate packing HxWxD	mm	1900x2976x1356	1900x3576x1356	1900x4176x1356

\* Data from lab according to standard ISO9398-1. The actual capacity depends on laundry conditions and operators which could be 20% - 40% lower. The data concerning dimensions of machines include all extended parts.



- Control panel
- Upper cover
- Centralstop
- Manual drive of roller
- Exhaust ventilation
- Pedal used for starting/stopping belts movement (according to order, only for version OPL)
- Pedal microswitch (according to order, only for version OPL)
- Feeding belts/feeding table
- Cover of filter sieve
- Name plate
- Condense drain G 3/4" (only for version "S")
- Main switch
- Upper trough
- Steam supply G 3/4" (only for version "S")
- External protective connector
- Output tilting table - front
- Bolts of side cover
- Main supply of electric power
- Gas supply G 3/4" (only for version "G")
- Power supply for heating system (only for version "E")
- Output tilting table - rear (according to order)
- Output tilting trough - front
- Output tilting trough - rear

**TO LEARN MORE, OR TO FIND A DISTRIBUTOR IN YOUR AREA, VISIT UNIMAC.COM**  
**ALLIANCE LAUNDRY SYSTEMS - SHEPARD ST, RIPON WI 54971 - +1 800 587 5458**

Consult your UniMac® distributor for details. For the most accurate information, the installation guide should be used for all design and construction purposes. Due to continuous product improvements, design and specifications subject to change without notice. The quality management systems at Alliance Laundry Systems® Ripon facility has been registered to ISO 9001:2008.

©2018 Alliance Laundry Systems LLC.

UniMac® by Alliance Laundry Systems