



Maximum Performance



UY180, UY240, UY280

FEATURES AND BENEFITS

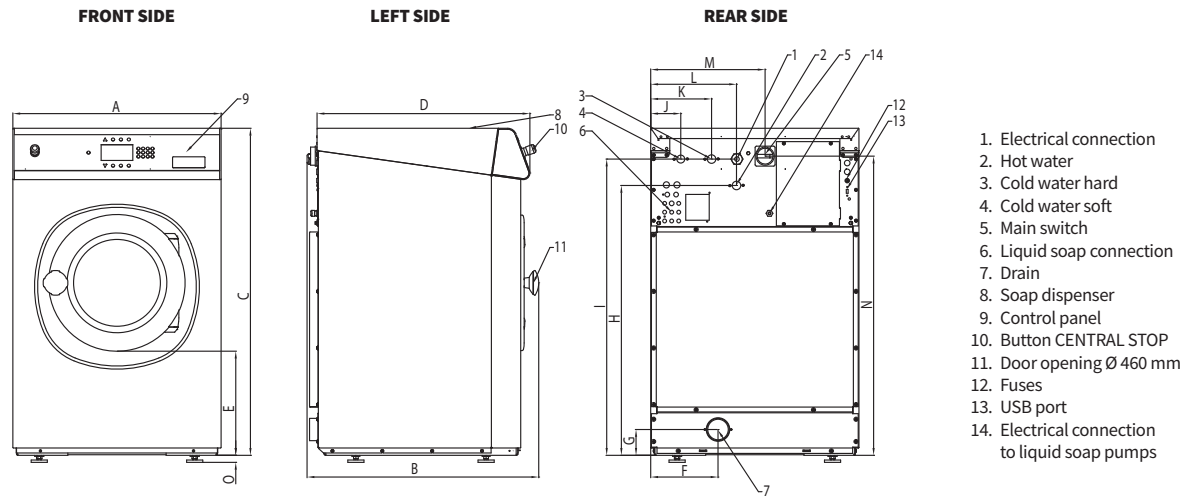
- Freestanding, high spin
- Stainless steel front, side and top panels
- Stainless steel drum and tub
- PROform – fully programmable microprocessor
- Patented soap hopper
- High capacity water inlets
- Large drain valve (Ø 76 mm)
- Easy access to all vital parts from the front
- Large door opening for easy loading & unloading
- USB plug (on the back panel)
- Liquid soaps connection

OPTIONS

- Liquid soap pumps
- Water recovery kit
- Steam heating version
- 3rd water inlet

HIGH EFFICIENT SOFT-MOUNTED WASHER EXTRACTORS

TYPE		UY180	UY240	UY280
INNERDRUM				
Capacity (1:10)	kg/lb	18/40	24/55	28/65
Volume	l	180	240	280
Diameter	mm	750	750	750
DRUM SPEED				
Wash	rpm	42	42	42
Extraction	rpm	980	980	915
G-Factor		400	400	350
HEATING				
Electricity (standard)	kW	12/18	18	21.9
Steam	bar	1-8	1-8	1-8
Hot water	°C	90	90	90
Sound pressure level	dB (A)	<65	<65	<65
Water valves connection	inch	3/4"	3/4"	3/4"
Water pressure	kPa	100-800	100-800	100-800
Rec. water pressure	kPa	300-500	300-500	300-500
Water inlet	l/min	20	20	20-50
Drain valve	outer Ø mm	76	76	76
Flow amount with drain valve	l/min	210	210	210
Steam valve connection	inch	1/2"	1/2"	1/2"
Steam pressure	kPa	100-800	100-800	100-800
DIMENSIONS				
HxWxD	mm	1410x970x970	1410x970x1105	1410x970x1185
TRANSPORT DATA				
Gross weight	kg	395	450	515
Net weight	kg	380	430	495
Packed HxWxD	mm	1550x1025x1015	1550x1025x1150	1550x1025x1225



TYPE	A	B	C	D	E	F	G	H	I	J	K	L	M	N	O
UY 180	970	970	1410	906	477	270	108.5	1215	1297.5	102.5	208	293	610	1315	24
UY 240	970	1105	1410	1041	477	270	108.5	1215	1297	102.5	208	293	610	1315	24
UY 280	970	1185	1410	1116	477	270	108.5	1215	1305	102.5	208	293	610	1315	24
	width	depth	height												

TO LEARN MORE, OR TO FIND A DISTRIBUTOR IN YOUR AREA, VISIT UNIMAC.COM
ALLIANCE LAUNDRY SYSTEMS - SHEPARD ST, RIPON WI 54971 - +1 800 587 5458

Consult your UniMac® distributor for details. For the most accurate information, the installation guide should be used for all design and construction purposes. Due to continuous product improvements, design and specifications subject to change without notice. The quality management systems at Alliance Laundry Systems' Ripon facility has been registered to ISO 9001:2008.