



**Maximum Performance**



## **UY350, UY450, UY600**

### **FEATURES AND BENEFITS**

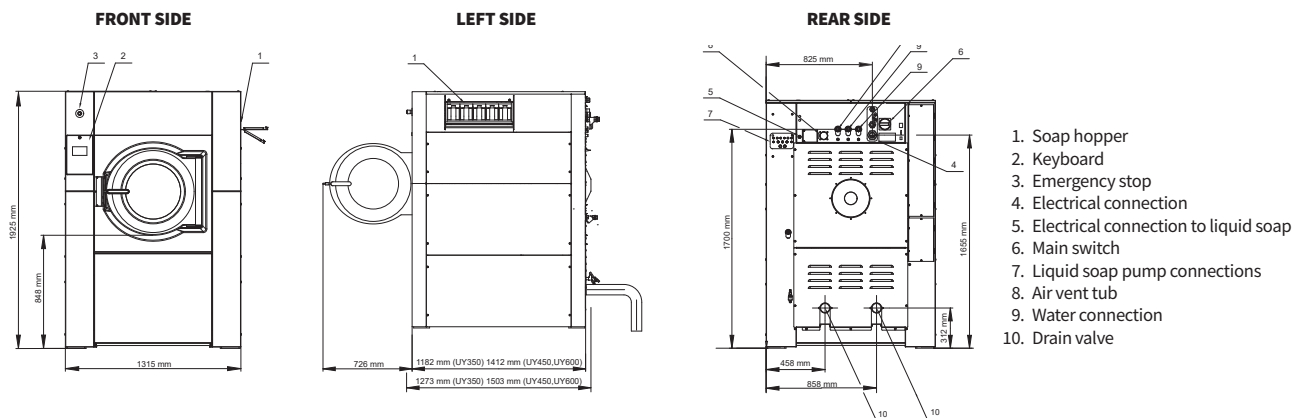
- Freestanding, high spin
- Stainless steel cabinet
- Stainless steel drum and tub
- PROform – fully programmable microprocessor
- Large door opening for easy loading and unloading (Ø 540 mm)
- Two large drain valves (Ø 76 mm)
- Frequency controlled motor
- Perforated lifting ribs: more mechanical action, lower water consumption
- Ecological washing programmes – significantly reduces water and electricity consumption
- USB and RS485 plug (on the back panel)
- Liquid soaps print
- Soap hopper with 5 removable compartments
- 3rd water inlet, high inlets capacity
- Ergonomic height of door enables easy access with trolleys
- User friendly control position regardless user's height
- Bumper (front side protection)

### **OPTIONS**

- Liquid soap pumps
- PROform Assist – traceability software and networking system
- Weighing system by cells
- Recycle drain valve
- Isolation for energy and noise reduction
- Extra signalization (orange light + horn)
- Steam heating version
- Air operated water inlets
- Water sample tap

**HIGH SPIN INDUSTRIAL WASHER EXTRACTORS**

TYPE		UY350	UY450	UY600
<b>INNERDRUM</b>				
Capacity (1:10)	kg/lb	35/77	45/99	60/132
Volume	l	350	450	600
Diameter	mm	914	914	1035
Depth	mm	535	690	715
<b>MOTOR</b>				
Power	kW	4	7,5	7,5
<b>DRUM SPEED</b>				
Wash speed (max)	rpm	45	45	42
Extraction speed (max)	rpm	839	839	788
G-Factor		360	360	360
<b>PROGRAMMER</b>				
PROform		Standard	Standard	Standard
<b>HEATING</b>				
100% hot water	°C	90	90	90
100% electrical	kW	24	36	54
Steam high pressure	bar	3-8	3-8	3-8
<b>CONNECTION</b>				
Electrical			3x220-240V 50/60Hz 3x380-415V 50/60Hz 3x440-480V 50/60Hz	
Water inlet	inch	3x 1"	3x 1"	3x 1"
Steam inlet	inch	1x 3/4"	1x 3/4"	1x 3/4"
Drain diameter	inch	2x 3"	2x 3"	2x 3"
<b>TILTING</b>				
Forward tilting		N/A	Option	Option
<b>DIMENSIONS</b>				
HxWxD	mm	1925x1315x1270	1925x1315x1502	1925x1315x1502
<b>TRANSPORT DATA</b>				
Net weight	kg	1010	1350	1500
Net weight (w/ tilting)	kg	N/A	1390	1540
Gross weight	kg	1170	1490	1640
Gross weight (w/ tilting)	kg	N/A	1530	1680
Crate packing HxWxD	mm	2125x1425x1470	2125x1425x1700	2125x1425x1700
Standard = Standard version. The data concerning dimensions of machines include all extended parts.				



**TO LEARN MORE, OR TO FIND A DISTRIBUTOR IN YOUR AREA, VISIT UNIMAC.COM**  
**ALLIANCE LAUNDRY SYSTEMS - SHEPARD ST, RIPON WI 54971 - +1 800 587 5458**

Consult your UniMac® distributor for details. For the most accurate information, the installation guide should be used for all design and construction purposes. Due to continuous product improvements, design and specifications subject to change without notice. The quality management systems at Alliance Laundry Systems' Ripon facility has been registered to ISO 9001:2008.

©2018 Alliance Laundry Systems LLC.

UniMac by Alliance Laundry Systems