



Maximum Performance



UY65, UY80, UY105, UY135

FEATURES AND BENEFITS

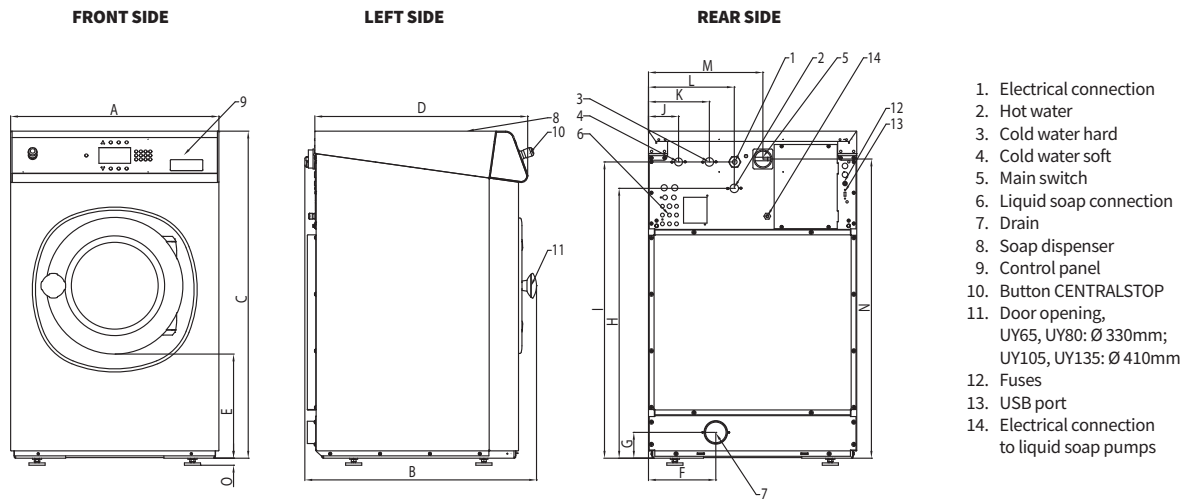
- Freestanding, high spin (up to 1165 RPM – UY65, 80)
- Stainless steel front, side and top panels
- Stainless steel drum and tub
- PROform – fully programmable microprocessor
- Patented soap hopper
- Large drain valve (Ø 76 mm)
- Easy access to all vital parts from the front
- Large door opening for easy loading & unloading
- USB plug (on the back panel)
- Liquid soaps connection

OPTIONS

- Liquid soap pumps
- Water recovery kit
- Steam heating version
- 3rd water inlet

HIGH EFFICIENT SOFT-MOUNTED WASHER EXTRACTORS

TYPE		UY65	UY80	UY105	UY135
INNERDRUM					
Capacity (1:10)	kg/lb	6.5/14	7.5/20	10.5/25	13.5/30
Volume	l	65	75	105	135
Diameter	mm	530	530	620	620
DRUM SPEED					
Wash	rpm	49	49	49	49
Extraction	rpm	1165	1165	1075	1075
G-Factor		400	400	400	400
HEATING					
Electricity (standard)	kW	3/4.6/6/9	3/4.6/6/9	3/4.6/6/9/12	4.6/9/12
Steam	bar	1-8	1-8	1-8	1-8
Hot water	°C	90	90	90	90
Sound pressure level	dB (A)	<65	<65	<65	<65
Water valves connection	inch	3/4"	3/4"	3/4"	3/4"
Water pressure	kPa	100-800	100-800	100-800	100-800
Rec. water pressure	kPa	300-500	300-500	300-500	300-500
Water inlet	l/min	20	20	20	20
Drain valve	outer Ø mm	76	76	76	76
Flow amount with drain valve	l/min	210	210	210	210
Steam valve connection	inch	1/2"	1/2"	1/2"	1/2"
Steam pressure	kPa	100-800	100-800	100-800	100-800
DIMENSIONS					
HxWxD	mm	1115x710x740	1115x710x790	1225x795x795	1225x795x945
TRANSPORT DATA					
Gross weight	kg	180	200	235	275
Net weight	kg	170	185	210	255
Packed HxWxD	mm	1245x750x840	1245x750x840	1345x835x840	1345x835x985



TYPE	A	B	C	D	E	F	G	H	I	J	K	L	M	N	O
UY 65	710	740	1115	676	349	230	82	914	1004	113	218	293	390	1020	24
UY 80	710	790	1115	726	349	230	88	920	1010	113	218	293	390	1020	24
UY 105	795	795	1225	761	342	230	88	1030	1120	103	208	293	475	1130	24
UY 135	795	945	1225	911	342	230	88	1030	1120	103	208	293	475	1130	24
	width	depth	height												

TO LEARN MORE, OR TO FIND A DISTRIBUTOR IN YOUR AREA, VISIT UNIMAC.COM
ALLIANCE LAUNDRY SYSTEMS - SHEPARD ST, RIPON WI 54971 - +1 800 587 5458

Consult your UniMac® distributor for details. For the most accurate information, the installation guide should be used for all design and construction purposes. Due to continuous product improvements, design and specifications subject to change without notice. The quality management systems at Alliance Laundry Systems' Ripon facility has been registered to ISO 9001:2008.